

# A-ROOF HOOK

UNISOLAR

Thanks to its lightweight structure, it is easy to install and does not add extra load to the roof. This hook, which is stainless and resistant to corrosion, provides reliable performance in all weather conditions.



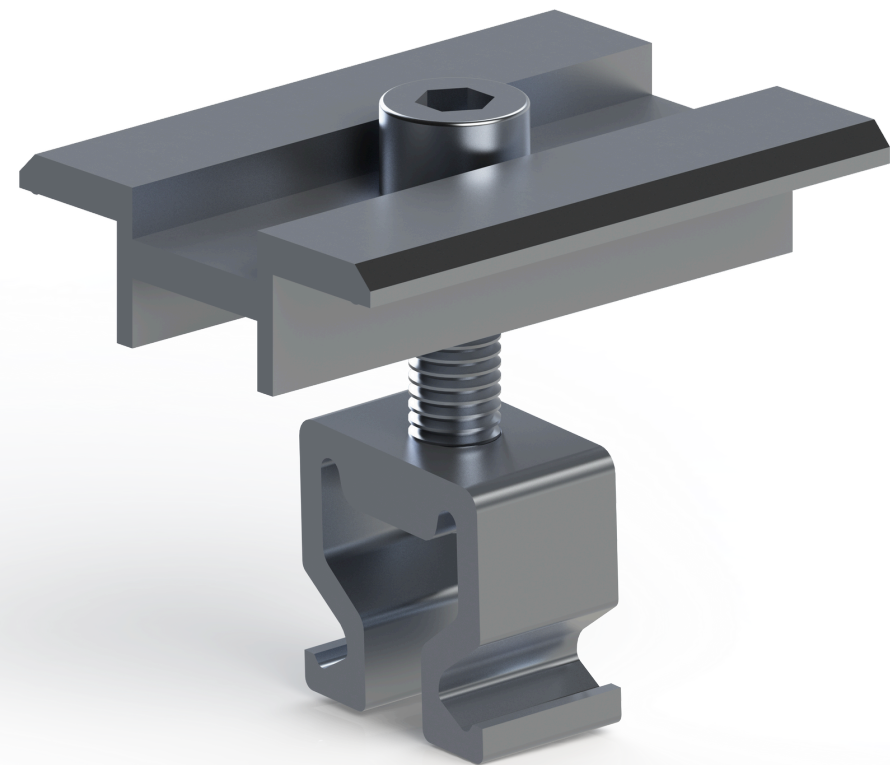
Adjustable Height  
(+15 mm)

Suitable Clamp  
Solutions for  
Different Panel  
Types

Effortless  
Installation with  
the New Clamp  
Design

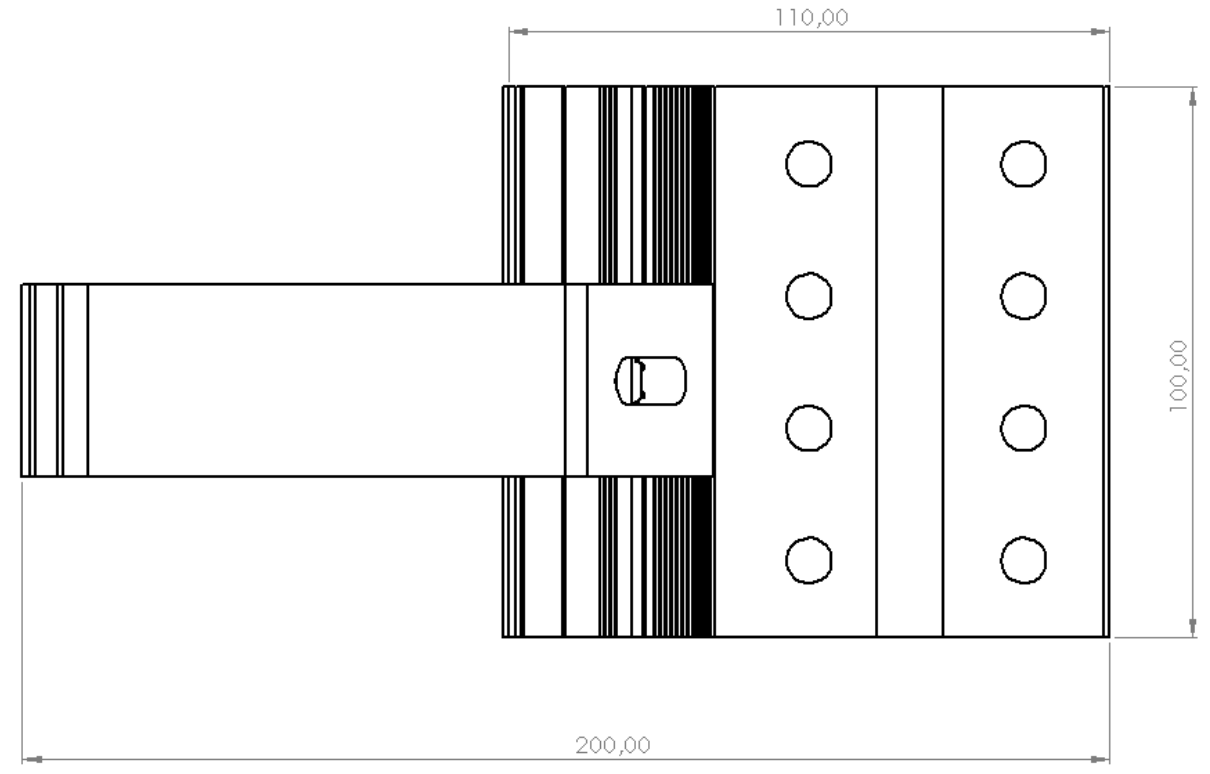
## For the A-Roof Hook:

With its aesthetic design, it perfectly blends with your roof without compromising its appearance. Made of high-quality materials, the aluminum roof hook guarantees years of trouble-free use, making it an ideal solution for tile roof applications.



The Ease of Attaching by Twisting!

# A-ROOF HOOK



## TECHNICAL SPECIFICATIONS

### ALLOY

System Components: EN AW 6063 Alüminyum  
Bolts: Stainless steel

### Roof Type

Suitable for most types of tile roof.

### Color

Aluminum: plate surface. Black coating is available for visible components.

### Parts

#### 112100 - A-Roof Hook

Hook and Mounting Bracket

#### 001000 - End - Mid Clamp

Suitable for 30-35-40 mm solar panels.

#### 1002100 - Base Rail

Rail

#### ART-9097 - T- BOLT

T-bolt

